

# PROFESSIONAL CHEST HEATED IRONERS

I  
RANGE

150

500MM



COMPACT  
DESIGN



EASY  
OPERATION



OPTIMIZED  
OUTPUT

senso.speed®

## FEATURES

- Large surface contact with linen over an angle of 3000
- High polished steel, thin cylinder
  - Reasonable price
  - Rapid response to temperature
  - Excellent thermal conductivity
- Finger protection and emergency button for more safety
- Durable Meta Aramid ironing belts
- Automatic cooldown
- Easy to operate microprocessor: 20 pre-set ironing programmes
- Indication of ironing speed and temperature
- Reverse mode possible

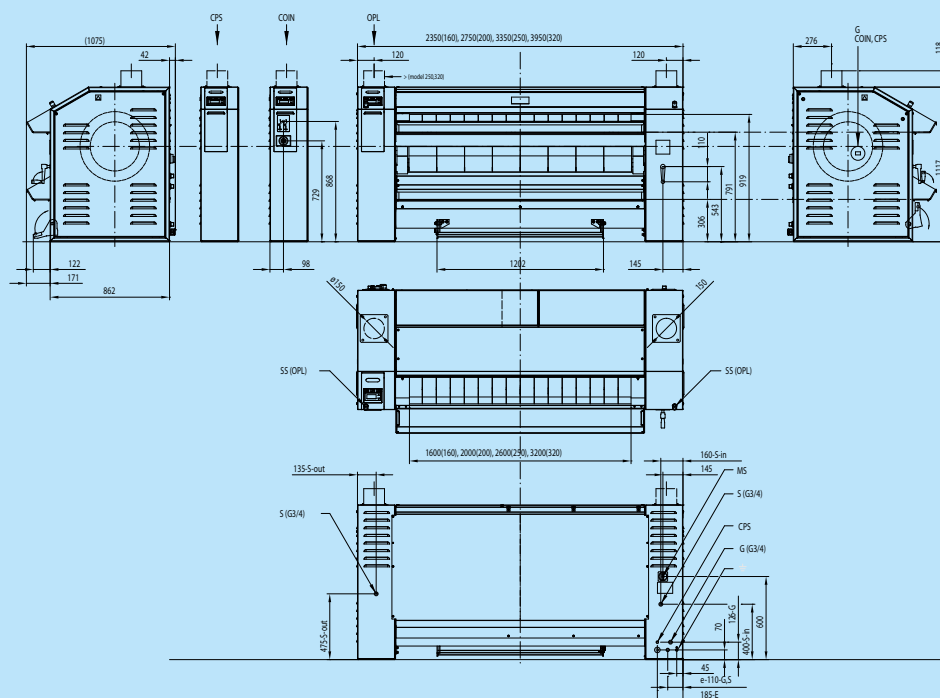
- Frequency controlled motor
- Easy to remove lint filters
- Space saving installation against the wall is possible: front return
- Electric, gas or steam heating
- Overheating check system (OCS) with 3 temperature sensors
- Ergonomic design

## OPTIONS

- Coin operated version
- Central payment system operated version (CPS)
- Chrome-plated cylinder for a better thermal conduction
- Pedal of insert table stop system
- SensoSpeed - auto adjustable ironing speed

TYPE		150-160	150-200	150-250	150-320
ROLLER DIAMETER	mm	500	500	500	500
USEFUL ROLLER LENGTH	mm	1600	2000	2600	3200
<b>HEATING</b>					
Electric heating	kW	32,4	37,2	54,0	64,8
Gas heating	kW	30	36	52	66
Steam heating	kg/h	36	49	68	88
<b>MOTORS</b>					
Roller motor	kW	0,37	0,37	0,37	0,37
Fan motor	kW	0,18/0,255	0,18/0,255	2x0,18/0,255	2x0,18/0,255
<b>TOTAL INSTALLED POWER</b>					
Electric		33,2	38,0	55,2	66,0
Gas		0,7	0,7	0,9	0,9
Steam		0,7	0,7	0,9	0,9
EXHAUST	mm	1x150	1x150	2x150	2x150
<b>IRONING CAPACITY*</b>					
Electrical & Gas heating	kg/h	65	80	95	120
Steam heating	kg/h	80	95	115	145
ROLLER SPEED	m/min.	1,5-8	1,5-8	1,5-8	1,5-8
<b>ELECTRIC CONNECTION</b>					
380-415V 3AC+N 50/60 Hz, 208-240V 3AC 50/60 Hz 380-415V 3AC-N 50/60 Hz, 440V-480 3AC 60 Hz					
<b>DIMENSIONS</b>					
H×W×D	mm	1232x2350x1052	1232x2750x1052	1232x3350x1087	1232x3950x1087
Net weight	kg	920	1150	1290	1590
<b>TRANSPORT DATA</b>					
Volume (crate packed)	m <sup>3</sup>	4,24	4,97	6,00	7,03
Packed H×W×D	mm	1550x2490x1100	1550x2890x1100	1550x3490x1100	1550x4090x1100
Gross weight	kg	1120	1350	1500	1850

\* Tested in accordance of ISO 9398-1, The data concerning dimensions of machines include all extended parts



The Primus preserves the right to change the machines and the specification in this leaflet at any time, without prior notice. Details and photographs are only for information and never binding.

[www.primuslaundry.com](http://www.primuslaundry.com)



12-2017

Primus by Alliance Laundry Systems